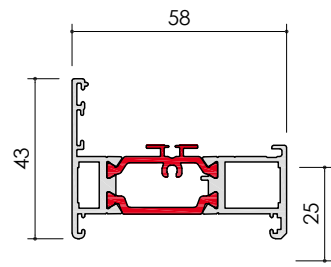
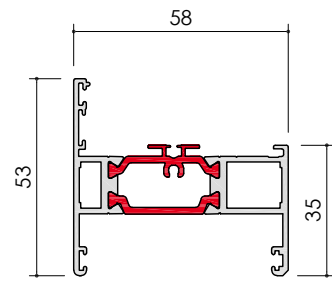


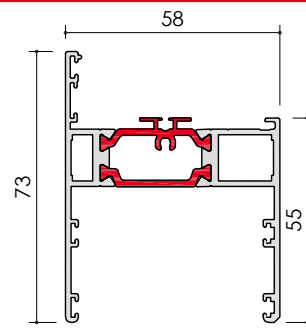
## OUTER FRAME



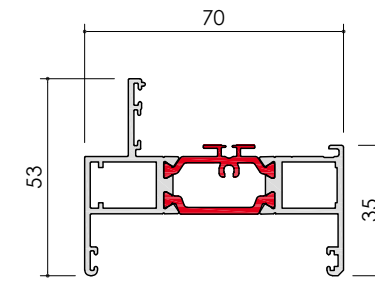
AW604



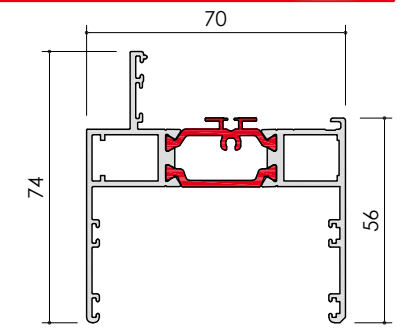
AW605



AW608

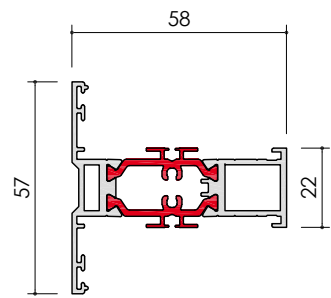


AW622

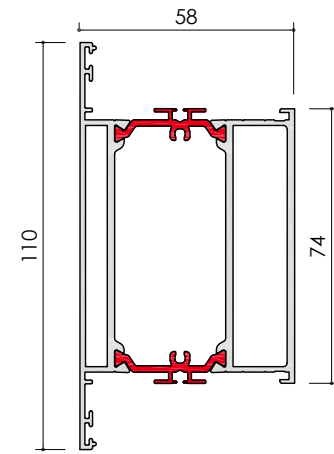


AW623

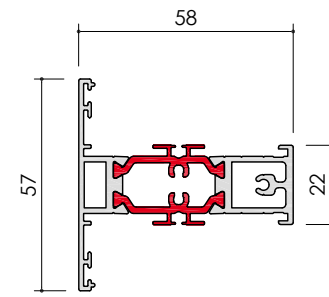
## MULLION / TRANSOM & MIDRAIL



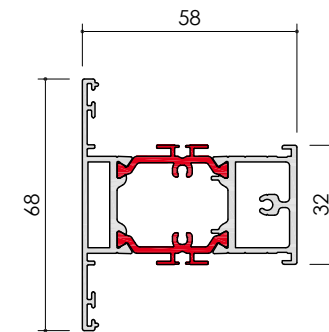
AD305



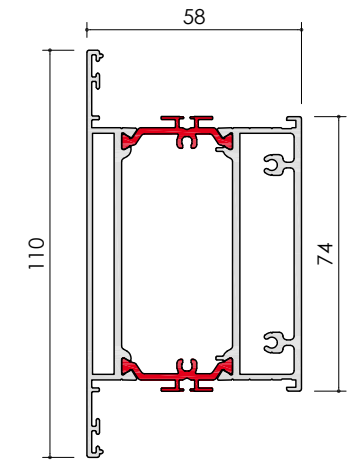
AD309



AW632

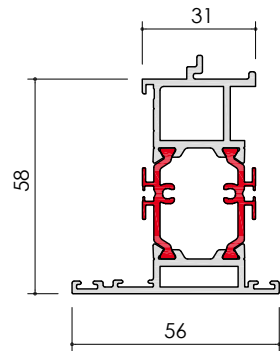


AW634



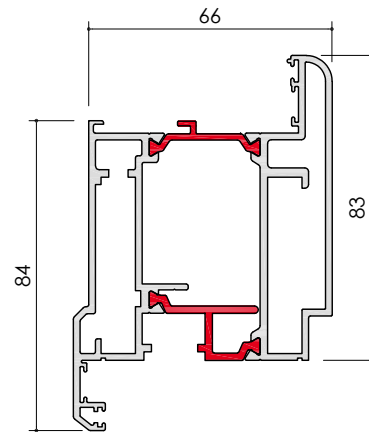
AW635

## FLOATING MULLION

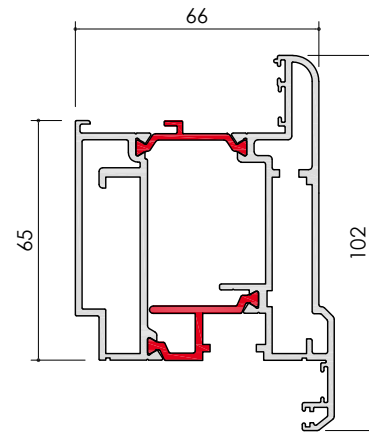


AD300

## DOOR LEAF

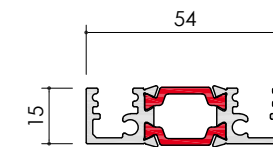


AD200

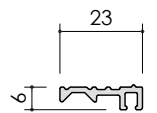


AD201

## LOW THRESHOLD / ADAPTOR

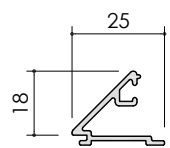


AD100

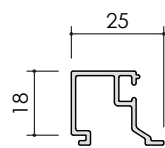


AD131

## GLAZING BEAD

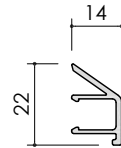


AW513



AW660

## WEATHER BAR



P-00-702

## COLOUR + RANGE

SINGLE COLOUR	RAL CODE	COLOUR DESCRIPTION
	9910 HG	HIPCA WHITE
	7016 M	ANTHRACITE GREY
	8017 M	CHOCOLATE BROWN
	9005 M	DEEP BLACK
DUAL COLOUR	RAL CODE	
	9910 HG (INTERNAL) / 7016 M (EXTERNAL)	
	9910 HG (INTERNAL) / 9005 M (EXTERNAL)	
HG: HIGH GLOSS 80% (±5%) / SG: SEMI GLOSS 60% (±5%) / M: MATT 30% (±5%)		

**ALUK**<sup>®</sup>

www.aluk.co.uk

**58BD**  
COLOUR +

DATE : 03.03.2017 ISSUE : 1

SCALE : 1:1 @ A1 PAGE : 1 of 1